



metal joining system, strengthens your box assemblies, quick & EZY

Why EzyEnd?

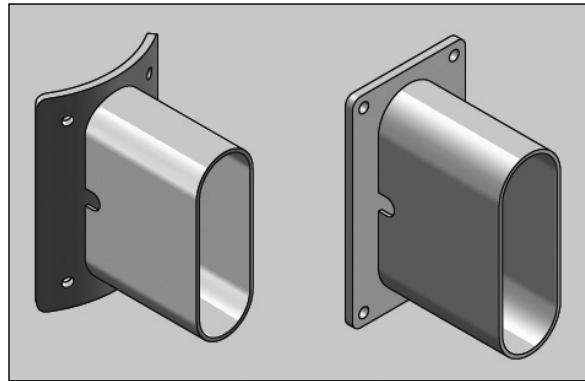
We know how hard it can be to build with steel oval rail (cattle rail). There can be a lot of welding needed only adding to your installation costs.



EzyEnd has been designed to make your life easier.

- Eliminates the need for welding.
- High quality galvanized steel - no rust.
- Easily drilled to steel or timber posts.
- A unique design with a curved option for round posts or a flat option for square posts and flat surfaces.

EzyEnd - easy DIY saves time & money!



DUNCANEQUINE
GROUP

home of horserail
www.duncanequine.com.au
free call 1800 259 365

MISSION: REPLACE DAMAGED RAIL...

Step 1: Preparation



- Measure the rail to be replaced.
- Trim galvanised steel oval rail to size.
- Remove damaged rail.

Step 2: Installation



- Slip EzyEnd into each end of new rail.
- Place rail in position between posts (make sure level).

Step 3: Completion



- Screw EzyEnd in place.
- And Ta Da! All done...Easy as!

EZYEND

*Efficient.
Saves time and money!*

*Compatible with
Steel or Timber posts.*

*Easy, strong
do-it-yourself Assemblies*